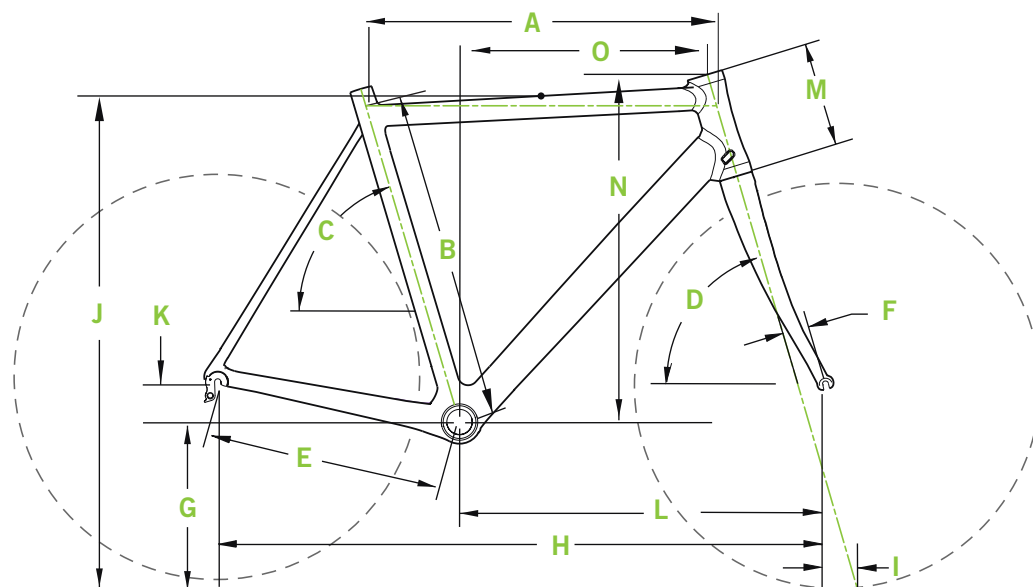


ROAD

CYCLOCROSS

SUPERX
CAADX





Not actual frame.

SPECIFICATIONS	44	48	52	54	56	58
A Horizontal Top Tube Length (cm)	51	52	54	55	57	59
B Measured Size (cm)*	44	48	52	54	56	58
C Seat Tube Angle (degrees)	75	74	73.5	73.5	73	73
D Head Tube Angle (degrees)	69	69.5	71.5	72	72.5	72.5
E Chain Stay Length (cm)	43	★	★	★	★	★
F Fork Rake (cm)	4.5	★	★	★	★	★
G Bottom Bracket Height (cm)	28.1	★	★	★	★	★
H Wheelbase (cm)	101.7	101.4	101.1	101.7	102.6	104.7
I Trail (cm)	8.5	8.4	7.0	6.7	6.4	6.4
J Standover at Top Tube Midpoint (cm)	74.9	77.0	80.4	82.2	83.6	85.5
K Bottom Bracket Drop (cm)	6.7	★	★	★	★	★
L Front Center Distance (cm)	59.6	59.3	59.0	59.6	60.5	62.6
M Head Tube Length (cm)	10	11	13.5	15	16	18
N Stack (cm)	51.8	52.9	56.0	57.6	58.8	60.7
O Reach (cm)	37.1	36.8	37.4	37.9	39.0	40.5

If you ride a size 56cm Cannondale road bike, you should choose a 54cm Cyclocross frame. This will give you a similar top tube length but more standover height.

** Stack is measured vertically from the center of the BB to the top of the head tube, reach is measured horizontally from the center of the BB to the top of the head tube.

CYCLOCROSS / 2AXC

SUPER X HI-MOD FRAME SET

REIGN. SUPREME.



GRN

※フレームのみ

SPECIFICATIONS

FRAME	△	SUPERX, BALLISTEC HI-MOD CARBON, SPEED SAVE, BB30
FORK	↑	SUPERX, BALLISTEC HI-MOD FULL CARBON, 1-1/8" TO 1-1/4" STEERER
HEADSET	⊗	CANNONDALE SUPERX, 1-1/8" TO 1-1/4", 15MM TOP CAP
SIZES	≡	44, 48, 52, 54, 56, 58
COLOR (CODE)	☞	JET BLACK W/BERSERKER GREEN (GLOSS) (GRN)
DELIVERY		8月
PRICE		¥349,000

CYCLOCROSS / 2XC3C

SUPER X 3 ULTEGRA

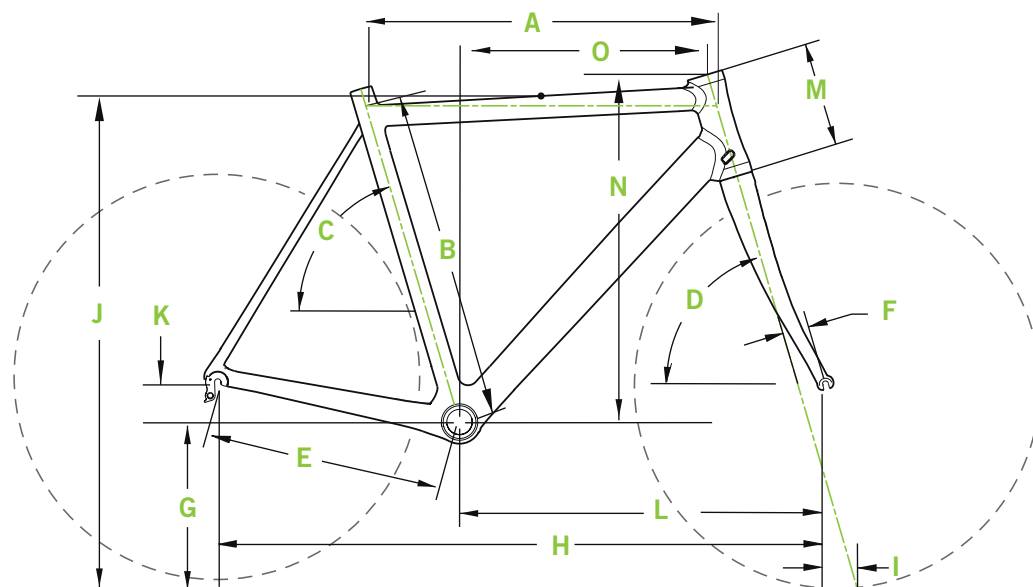
REIGN. SUPREME.



WHT

SPECIFICATIONS

FRAME	△	SUPERX, BALLISTEC CARBON, SPEED SAVE, BB30
FORK	↑	SUPERX, BALLISTEC CARBON, 1-1/8" TO 1-1/4" STEERER
RIMS	○	MAVIC KSYRIUM EQUIPE
HUBS	⇄	MAVIC KSYRIUM EQUIPE
SPOKES	✳	MAVIC KSYRIUM EQUIPE
TIRES	⊞	SCHWALBE SAMMY SLICK 700X35C
PEDALS	⊞	N/A
CRANK	⊞	FSA GOSSAMER PRO, BB30, 46/36
BOTTOM BRACKET	⇄	FSA BB30
CHAIN	∩	SHIMANO ULTEGRA 6700
REAR COGS	∩	SHIMANO ULTEGRA 6700, 12-25, 10-SPEED
FRONT DERAILLEUR	↗	SHIMANO ULTEGRA 6700, BRAZE-ON
REAR DERAILLEUR	⋈	SHIMANO ULTEGRA 6700
SHIFTERS	⊕	SHIMANO ULTEGRA 6700
HANDLEBAR	~	CANNONDALE C2 COMPACT, 2014 DOUBLE BUTTED ALLOY, 2014 DOUBLE BUTTED ALLOY
GRIPS	↗	CANNONDALE 3MM SUEDE W/ GEL BACKING BAR TAPE
STEM	↗	CANNONDALE C2, 2014 3D FORGED ALLOY, 31.8MM, 6 DEG.
HEADSET	⊙	CANNONDALE SUPERX, 1-1/8" TO 1-1/4", 15MM TOP CAP
BRAKES	↗	TRP EURO-X ALLOY
BRAKE LEVERS	↗	SHIMANO ULTEGRA 6700
SADDLE	↗	FI'ZI:K TUNDRA 2
SEATPOST	↑	CANNONDALE C2, UD CARBON, 27.2X300MM
SIZES	⊞	44, 48, 52, 54, 56
COLOR (CODE)	↗	MAGNESIUM WHITE W/ JET BLACK (GLOSS) (WHT)
DELIVERY		9月
PRICE		¥ 369,000



Not actual frame.

SPECIFICATIONS	44	48	51	54	56	58
A Horizontal Top Tube Length (cm)	51.5	52.5	53.5	54.5	56.0	57.5
B Measured Size (cm)*	44	47	50	53	55	57
C Seat Tube Angle (degrees)	75	74.5	74	73.5	73	73
D Head Tube Angle (degrees)	69.5	70.5	71	72	72.5	72.5
E Chain Stay Length (cm)	43.2	43.2	43.2	43.2	43.2	43.2
F Fork Rake (cm)	5	★	★	★	★	★
G Bottom Bracket Height (cm)	28.3	★	★	★	★	★
H Wheelbase (cm)	101.8	101.3	101.6	102.3	103.3	105.4
I Trail (cm)	7.7	7.0	6.7	6.0	5.7	5.7
J Standover at Top Tube Midpoint (cm)	75.5	77.7	79.8	81.9	83.0	85.0
K Bottom Bracket Drop (cm)	6.7	★	★	★	★	★
L Front Center Distance (cm)	59.5	59.0	59.3	60.0	61.0	63.0
M Head Tube Length (cm)	12	13.0	14.5	15.5	16.0	18.0
N Stack (cm)	53.8	55.1	56.7	58.0	58.7	60.6
O Reach (cm)	36.2	36.2	36.4	37.7	39.0	40.4

*The measured size is from the center of the bottom bracket to the top of the top tube, measured along the seat tube axis.

** Stack is measured vertically from the center of the BB to the top of the head tube, reach is measured horizontally from the center of the BB to the top of the head tube.

CYCLOCROSS / 2XR6C

CAADX 6 TIAGRA

CROSS. FUNCTIONAL.



BBQ

SPECIFICATIONS

FRAME	△	CAADX CYCLOCROSS, OPTIMIZED 6061 ALLOY, BB30
FORK	↑	CANNONDALE ULTRA X, CARBON BLADES, 1-1/8"
RIIMS	○	MADDUX DRX 6000, 32 HOLE
HUBS	⇄	FORMULA, RB-51 FRONT, RB-52 REAR
SPOKES	✱	STAINLESS STEEL, 15G
TIRES		SCHWALBE SAMMY SLICK, 700X35C
PEDALS	⊞	N/A
CRANK	⊙	FSA OMEGA BB30, 46/36
BOTTOM BRACKET	⇄	FSA BB30
CHAIN	∩	KMC X10
REAR COGS	▶	SHIMANO TIAGRA 4600, 12-28, 10-SPEED
FRONT DERAILLEUR	↗	SHIMANO TIAGRA 4600, 34.9MM CLAMP
REAR DERAILLEUR	⋈	SHIMANO TIAGRA 4600
SHIFTERS	⊕	SHIMANO TIAGRA 4600
HANDLEBAR	┌	CANNONDALE C4 COMPACT
GRIPS	☞	CANNONDALE 3MM SUEDE W/ GEL BACKING BAR TAPE
STEM	⊞	CANNONDALE C4, 31.8, 6 DEG.
HEADSET	⊙	CAADX SI, 25MM TOP CAP
BRAKES	⌘	TEKTRO CR520
BRAKE LEVERS	└	SHIMANO TIAGRA 4600
SADDLE	▷	CANNONDALE STAGE W/ STEEL RAILS
SEATPOST	↑	CANNONDALE C4 ALLOY, 31.6MMX300MM
SIZES	≡	44, 48, 51, 54, 56, 58
COLOR (CODE)	☑	JET BLACK (MATTE) (BBQ)
DELIVERY		9月
PRICE		¥ 129,000